

Dual Rod Cylinder

ø6, ø10, ø16, ø20, ø25, ø32

New

RoHS

Allowable kinetic energy

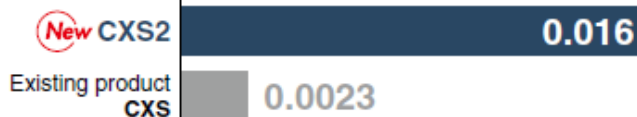
0.016 J

7
times

Max. piston speed

800 mm/s

2.6
times



Allowable kinetic energy [J] * Compared at a ø6



Piston speed [mm/s] * Compared at a ø6

Max.
standard
stroke
increased

| | | |
|------------|--------|-----------------|
| ø6 | 50 mm | ▶ 100 mm |
| ø10 | 75 mm | ▶ 150 mm |
| ø16 to ø32 | 100 mm | ▶ 200 mm |

Mounting dimensions are compatible with the existing CXS series products.



CXS2 Series

SMC

CAT.ES20-275A

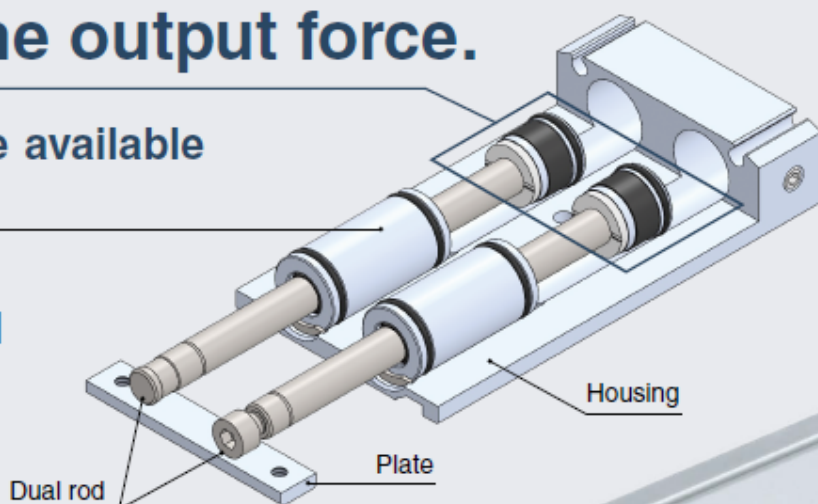
Double piston construction provides twice the output force.

Two types of bearings are available as standard.

- Ball bushing bearing
- Slide bearing

Piston diameter increased up to 16 mm

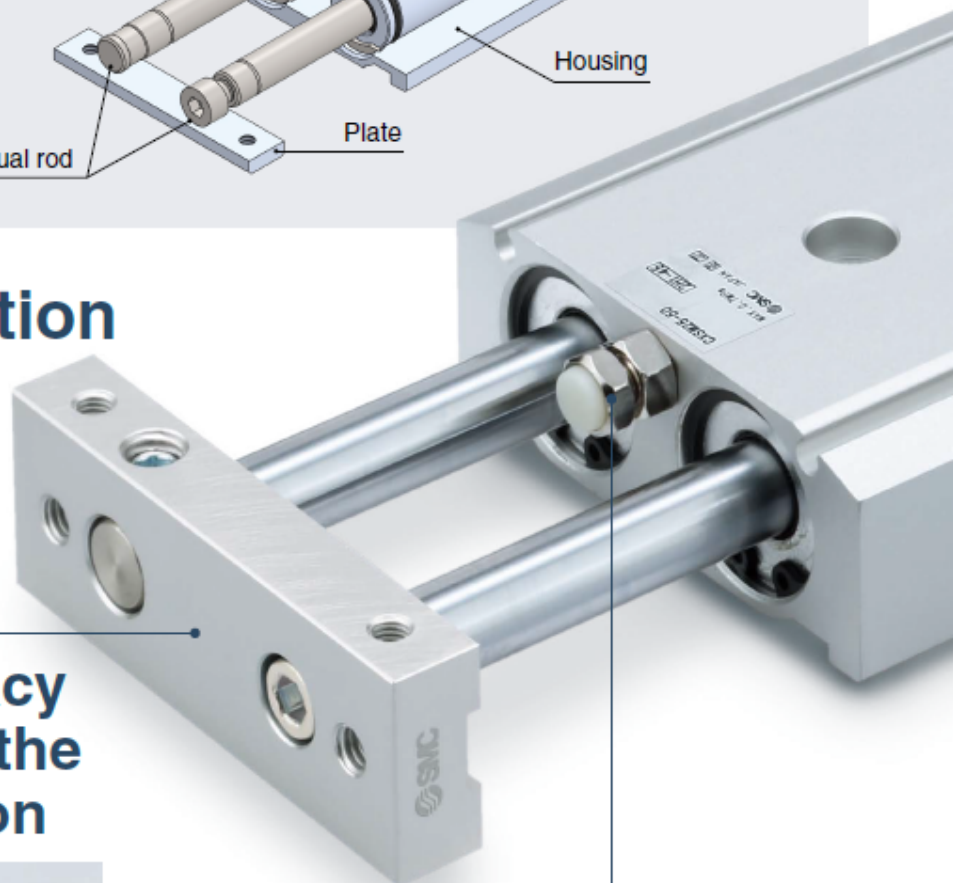
Same external dimensions as the 15 mm bore size version but the output force increased by approx. 14%



Weight: 7% reduction

0.15 kg → 0.14 kg

(Compared with the CXS□ series, ø10, 10 mm stroke)



Non-rotating accuracy of $\pm 0.1^\circ$ because of the dual rod construction



Stroke is adjustable up to **-5 mm.**