



2 types are available for different applications.

Large flow type **Dust removal**



Air coming from the IN side is filtered by the element after passing through the deflector.

Water drop removal type **Water removal** + **Dust removal**



Air coming from the IN side is rotated when passing through the fans in the deflector. Moisture is separated by centrifugal force.

Selectable filtration rating



Easy to handle

The element and the bowl are in one piece. Replacement can be done in hand.



Superior visibility: 360°

Use of a transparent bowl guard makes it possible to check the element inside the case from the entire periphery.



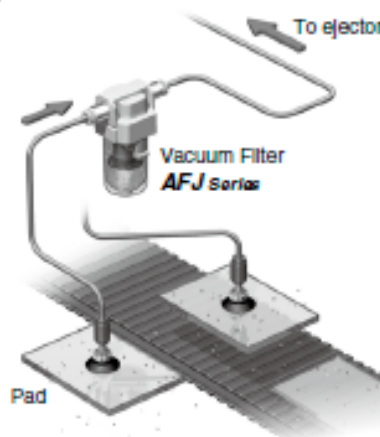
Metal related corrosion does not occur.

Resin body does not rust.

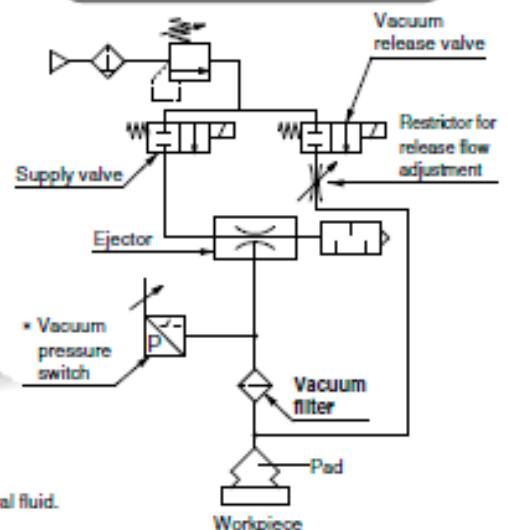


Application Examples

- Collect particles before the ejector to lengthen the ejector life.
- To prevent cleaning water left on the workpiece from entering into the ejector when the pad picks up the workpiece.



Application to ejector system



\* If water droplets enter to the vacuum pressure switch, use a vacuum pressure switch for general fluid. For handling, refer to Common Precautions and the Operation Manual.