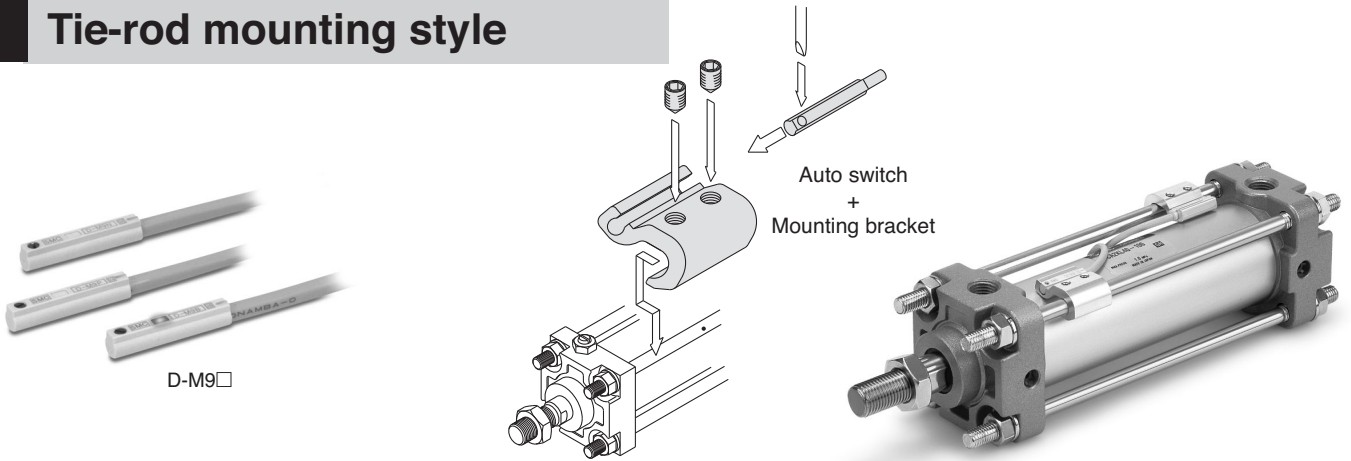

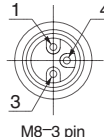


Tie-rod mounting style



Applicable Auto Switch + Mounting bracket

Applicable Series	Bore size (mm)	Reed switch type	Solid state switch type			Auto switch with pre-wired connector
		24 VDC 2-wire	24 VDC 3-wire (PNP)	24 VDC 3-wire (NPN)	24 VDC (2-colour indication) 3-wire (PNP)	
C95 ** MB (ø32 to 125) MNB (ø32 to 100)	32, 40	D-A93L + BMB5-032	D-M9PL + BMB5-032	D-M9NL + BMB5-032	D-M9PWL + BMB5-032	 24 VDC 3-wire (PNP): D-M9PSAPC 24 VDC 3-wire (NPN): D-M9NSAPC 24 VDC Diagnostic indication (2-colour indication) 3-wire (PNP): D-M9PWSAPC  M8-3 pin
	50, 63	D-A93L + BA7-040	D-M9PL + BA7-040	D-M9NL + BA7-040	D-M9PWL + BA7-040	
	80, 100	D-A93L + BA7-063	D-M9PL + BA7-063	D-M9NL + BA7-063	D-M9PWL + BA7-063	
	125	D-A93L + BA7-080	D-M9PL + BA7-080	D-M9NL + BA7-080	D-M9PWL + BA7-080	
	160, 200	D-A93L + BS5-160	D-M9PL + BS5-160	D-M9NL + BS5-160	D-M9PWL + BS5-160	
CA2 * CNA * CL1 *	40, 50	D-A93L + BA7-040	D-M9PL + BA7-040	D-M9NL + BA7-040	D-M9PWL + BA7-040	
	63	D-A93L + BA7-063	D-M9PL + BA7-063	D-M9NL + BA7-063	D-M9PWL + BA7-063	
	80, 100	D-A93L + BA7-080	D-M9PL + BA7-080	D-M9NL + BA7-080	D-M9PWL + BA7-080	
CS1 CLS *** CNS (ø125 to 160) CL1 (ø125 to 160)	125, 140	D-A93L + BS5-125	D-M9PL + BS5-125	D-M9NL + BS5-125	D-M9PWL + BS5-125	
	160	D-A93L + BS5-160	D-M9PL + BS5-160	D-M9NL + BS5-160	D-M9PWL + BS5-160	
	180	D-A93L + BS5-180	D-M9PL + BS5-180	D-M9NL + BS5-180	D-M9PWL + BS5-180	
	200	D-A93L + BS5-200	D-M9PL + BS5-200	D-M9NL + BS5-200	D-M9PWL + BS5-200	

- Lead wire length = 3 m, refer to page 11 for other lengths.
- Since there are other applicable auto switches than those listed, refer to pages 11 to 15 or SMC's Best Pneumatics catalogue for details.
- (*) Only solid state switches can be used on ø50 cylinders.
- (**) See separate table for C95 with 250mm bore size.
- (***) Autoswitches cannot be fitted to CLS ø250 cylinder part.

Applicable Auto Switch + Mounting bracket (C95, bore size ø250mm)

Applicable Series	Bore size (mm)	Reed switch type	Solid state switch type			Description
		24 VDC 2-wire	24 VDC 3-wire (PNP)	24 VDC 3-wire (NPN)	24 VDC (2-colour indication) 3-wire (PNP)	
C95	250	D-A54L + BT-20	D-F5PL + BT-20	D-F59L + BT-20	D-F5PWL + BT-20	With lead wire length = 3 m Consult SMC for other lengths.
		—	D-F5PSAPC + BT-20	D-F59SAPC + BT-20	D-F5PWSAPC + BT-20	With pre-wired connector (M8-3pin). Lead wire length =