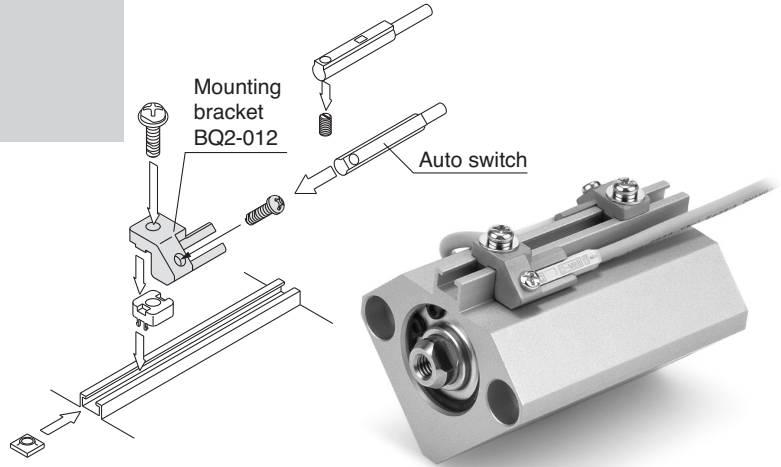



Rail mounting style



Applicable Auto Switch + Mounting Bracket (BQ2-012)

	Reed switch type		Solid state switch type			Description
	24 VDC 2-wire	24 VDC 3-wire (PNP)	24 VDC 3-wire (NPN)	24 VDC (2-colour indication) 3-wire (PNP)		
CE1 (ø12 to 25) ** CJ2 (ø10, 16) CQ2 (ø12 to 25) MK (ø20, 25) MK2 (ø20, 25) MU * MLU * MRQ RSQ (ø16, 20)	D-A93L + BQ2-012 ***	D-M9PL + BQ2-012 ***	D-M9NL + BQ2-012 ***	D-M9PWL + BQ2-012 ***	• Lead wire length = 3 m, refer to page 11 for other lengths.	
	—	D-M9PSAPC + BQ2-012 ***	D-M9NSAPC + BQ2-012 ***	D-M9PWSAPC + BQ2-012 ***	Auto switch with pre-wired connector (M8-3pin).  • Lead wire length = 0.5 m, refer to page 15 for other lengths.	

• Since there are other applicable auto switches than those listed, refer to SMC's Best Pneumatics catalogue for details.

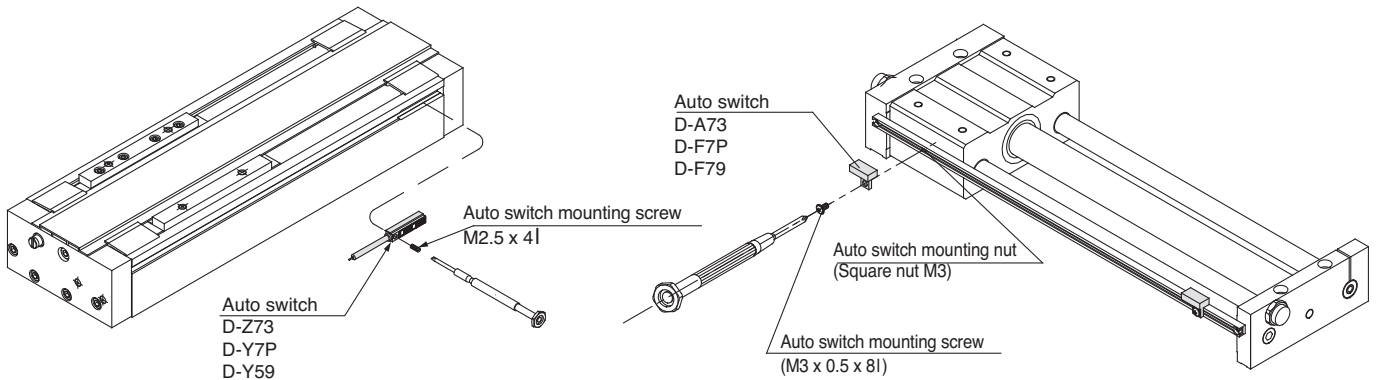
(*) Only solid state switches can be used.

(**) ø12 - Only solid state switches can be used.

(***) CE1, CQ2, MK, MK2, RSQ use BQ-1 and BQ2-012 as a set.

MU, MLU use BMU2-025 and BQ2-012 as a set.

MRQ use BQ-2 and BQ2-012 as a set.



Applicable Auto Switch (CY1, REA, bore size ø6 to ø100)

Applicable Series	Reed switch type		Solid state switch type		Description
	24 VDC 2-wire	24 VDC 3-wire (PNP)	24 VDC 3-wire (NPN)	24 VDC (2-colour indication) 3-wire (PNP)	
CY1H CY1HT REAH/REBH REAHT/REBHT	D-Z73L	D-Y7PL	D-Y59AL	D-Y7PWL	With lead wire length = 3 m Consult SMC for other lengths.
	—	D-Y7PSAPC	D-Y59ASAPC	D-Y7PWSAPC	With pre-wired connector (M8-3pin). Lead wire length =
CY1S CY1L REAL REAS	D-A73HL	D-F7PL	D-F79L	D-F7PWL	With lead wire length = 3 m Consult SMC for other lengths.
	—	D-F7PSAPC	D-F79SAPC	D-F7PWSAPC	With pre-wired connector (M8-3pin). Lead wire length =